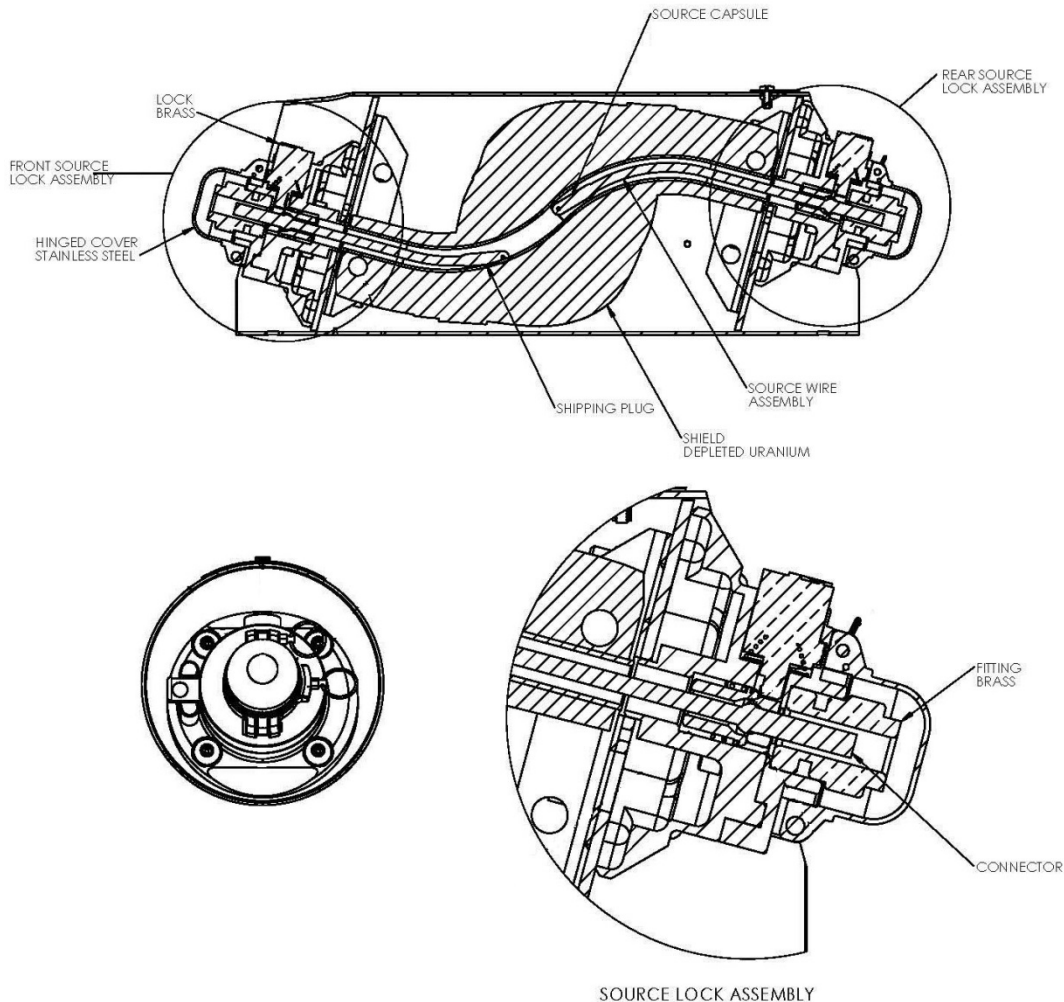


SERVICE BULLETIN

This bulletin is to remind shippers of the Model 880SC of shipment requirements for transporting radioactive sources in this Type B(U) source changer.

Unlike most QSA Global, Inc. source changers which can take source wire assemblies in all their source tubes so long as the package activity limit is not exceeded, the Model 880SC can **NEVER** ship more than ONE (1) radioactive source in the package at any one time. The opposite lock assembly on the Model 880SC **MUST CONTAIN** the shipping plug assembly prior to shipment of the package.

Note: The live radioactive source and the shipping plug assembly can be loaded in either lock mechanism on the 880SC, but the lock assembly that is not loaded with the live radioactive source, **MUST** contain the shipping plug assembly to make a legal shipment.



Shipment of the Model 880SC under the Type B(U) certificate (or the Type A approval) requires the package to be prepared for shipment in compliance with the drawing requirements on R880SC and all Type B(U) Certificate of Conformance requirements. These include, but are not limited to:

- Only **ONE** source loaded for transport.
- Shipping Plug Installed in Lock Assembly not containing an active source.
- Installation of the Brass adaptor fittings on BOTH lock assemblies as shown on drawing R880SC.
- Source and shipping plug secured in the lock by the lock slide, shipping cap installed and the plunger locks depressed with the key removed on both lock assemblies.

Shipment of a Model 880SC that does not meet the requirements of the Type B(U) Certificate of Conformance and drawing R880SC does not comply with the transport approvals for this package, and could lead to a shipment that is not approved under the regulations.

This bulletin is provided as a reminder only and does not impose any new shipment requirements for the Model 880SC.

Please ensure all shipments made in the Model 880SC comply with all requirements of the transport approvals for the package (e.g., Type B(U) certificates and Type A approval) and the regulations.

If additional information is required, please contact QSA Global, Inc. at:

Burlington, Massachusetts: Bob Kelly – +1 781-272-2000

Baton Rouge, Louisiana: Rusty Barrett, Curt Auzenne – +1 225-751-5893

La Porte, Texas: Karl Anderson, Mike Fontenot – +1 713-944-3200

Dobruany, Czech Republic: Lenka Zdenkova – +420 377-183-844

European Tech. Manager: Jean-Louis Malotteau – +32 (0) 477-503-437

Europe, Middle East, India: Marek Ziolkowski – +44 7968 707067